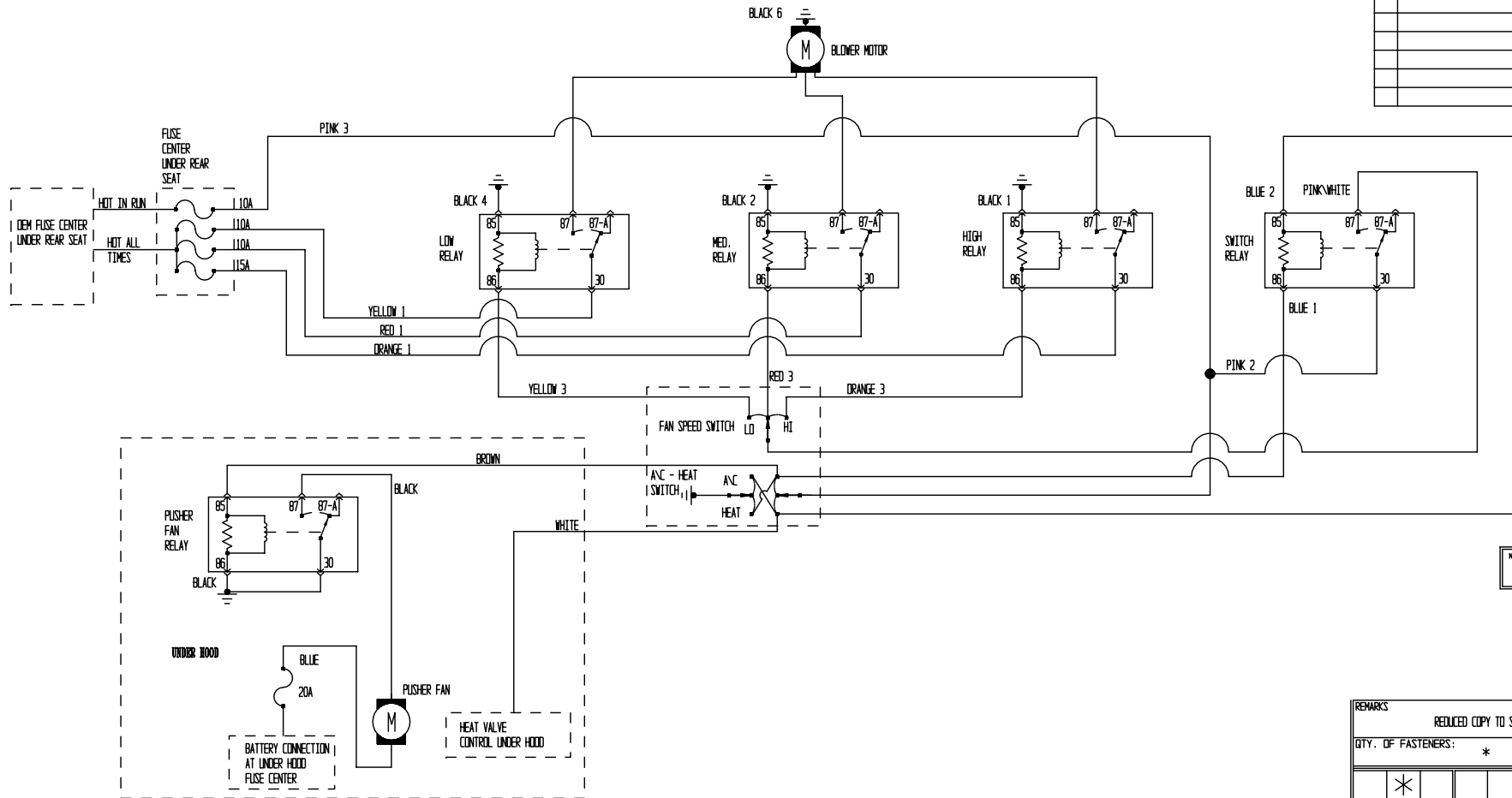


SYM.	REVISION RECORD	DATE	DR.	CK.	APP.



NO. L024456 C

ELECTRICAL SYMBOLS			
			 PARTIAL COMPONENT COMPONENT OR IT'S WIRING IS NOT SHOWN IN IT'S ENTIRETY
FLUSE	CHASSIS GROUND	SPLICE	
SINGLE POLE DOUBLE THROW RELAY	SWITCH	MOTOR	

REMARKS											
REDUCED COPY TO SHIP WITH VEHICLE											
QTY. OF FASTENERS:						FASTENER PART #:					
*						*					
FRAME LINE	SUB FINAL	TRIM SHOP	WELD	BOLT	NUT	WASHER	SCREW	RIVET	ADHESIVE		
INSTALLATION AREA						INSTALLATION FASTENING METHOD					
*	*			*				*			
NEW PART	CHANGE RECD	USE	REWORK	SCRAP	AT ONCE	NEXT RUN	NEXT BUY	CEPO	NEW MODEL		
PATTERN				STOCK DISPOSITION				EFFECTIVE			
REVISION CHANGE SYM:						PART QTY. PER CAR:					
*						1					
FIRST USED OPTION 1318						DR. M. DUNBAR			DATE 3/26/04		
						SCALE CK.			DATE		
						FULL APVD.			DATE		
FINISH *						STOCK SIZE *					
MATERIAL SPEC. X											
NAME SCHEMATIC - MANEX TRUNK MOUNT AC - HEAT											
E04807						PART NO. L024456 C					