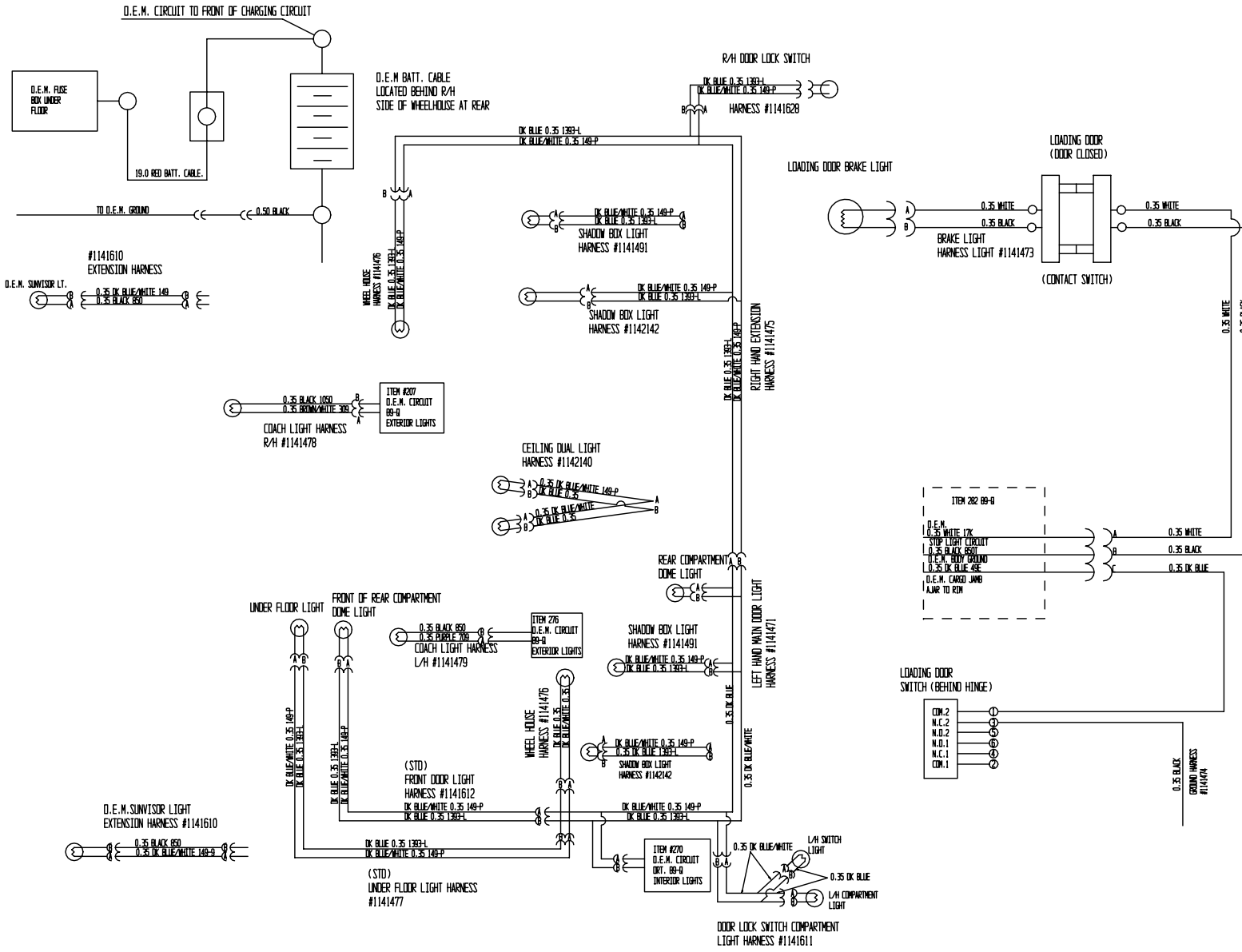


SYH.	REVISION RECORD	DATE	DR.	CK.	APP.



NO. **L023127** C

REMARKS											
QTY. OF FASTENERS: N/A						FASTENER PART #: N/A					
*	*	*	*	*	*	*	*	*	*	*	*
FRAME LINE	SUB FINAL	TRIM SHOP	WELD	BOLT	NUT	WASHER	SCREW	RIVET	ADHESIVE		
INSTALLATION AREA						INSTALLATION FASTENING METHOD					
*	*	*	*	*	*	*	*	*	*		
NEW PART	CHANGE REGRD	USE	REWORK	SCRAP	AT ONCE	NEXT RUN	NEXT BLY	CEPD	NEW MODEL		
PATTERN STOCK DISPOSITION						EFFECTIVE					
REVISION CHANGE SYM: *						PART QTY. PER CAR: 1					
FIRST USED				SCALE .25				DATE			
ALL CADILLAC HEARSE				DR. B. CONTINI				DATE 2/1/00			
FINISH AS DETAILED				CK.				DATE			
MATERIAL SPEC. NOTED											
NAME INTERIOR/EXTERIOR LIGHT WIRE DIAGRAM											
DISKETTE # Y2K-72						PART NO. L023127 C					
LASER PATTERN ON LEVEL 100											